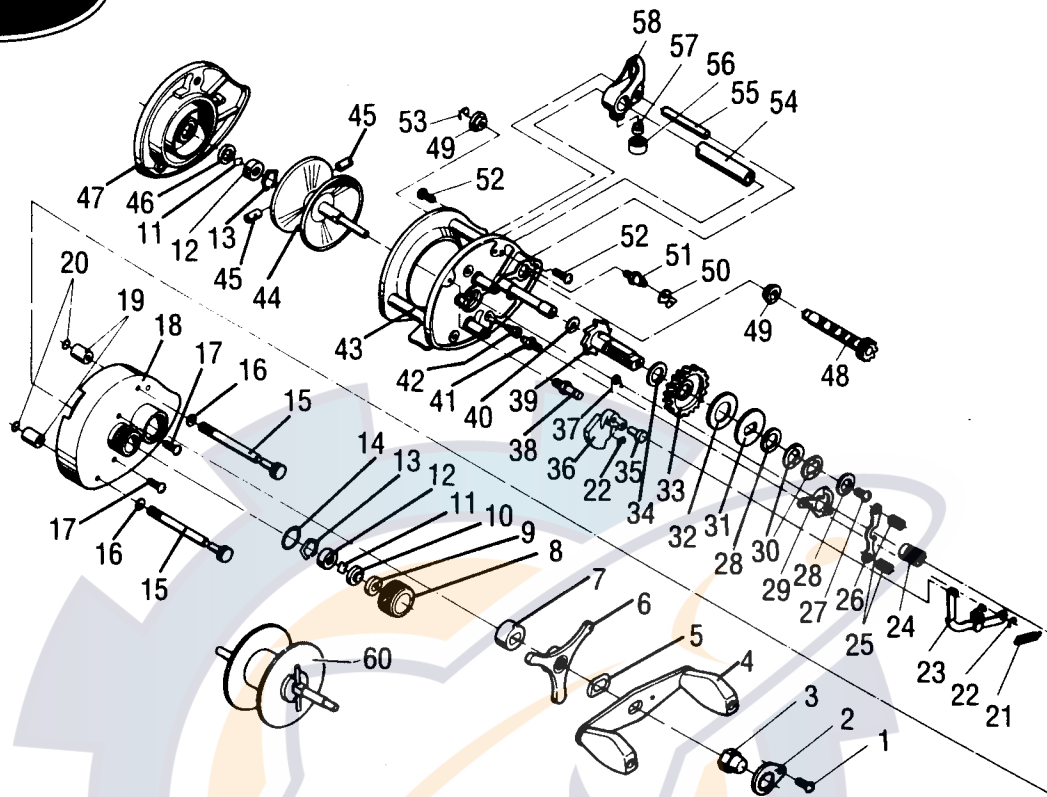




# BB1LE



Key No.	Part No.	Description	Price	Key No.	Part No.	Description	Price
1	P306000	Handle Locking Plate Screw	.30	32	P306101	Fiber Drag Washer	.85
2	P306002	Handle Locking Plate	2.65	33	P306105	Main Gear	8.50
3	P306005	Handle Retaining Nut	1.40	34	P306110	Main Gear Fiber Washer	.30
4	P306010	Handle	7.00	35	P306113	Spool Release Button Pin	.30
5	P306013	Tri Star Drag Tension Plate	.30	36	P306116	Spool Release Button	2.00
6	P306016	Tri Star Drag Control	6.45	37	P306120	Spool Release Button Spring	.30
7	P306022	Drag Collar	.30	38	P306122	Spool Release Button Post Screw	.70
8	P306028	Cast Control Cap	1.30	39	P306125	Ratchet Gear Assembly	12.70
9	P306031	Cast Control Tension Spring	.65	40	P306129	Drive Shaft Assembly Washer	.30
10	P306212	Cast Control Tension Assembly	1.30	41	P306130	Kick Lever Screw	1.10
11	P306035	Friction Shim	.30	42	P306132	Stopper Pin	.30
12	P306037	Oilless Bearing	.85	43	P306137	Main Body Assembly	32.50
13	P306038	Bearing Retaining Spring	.30	44	P306144	V Spool Standard	18.00
14	P306039	Cast Control O-Ring	.55	45	P306153	Brake Block	1.10
15	P306044	Side Plate Finger Screws	4.25	46	P306033	Cast Control Tension Plate	1.10
16	P306046	Washer	.30	47	P306168	Left Side Plate	8.35
17	P306047	Side Plate Retaining Screw	.30	48	P306178	Level Wind Gear	9.25
18	P306055	Right Side Plate	12.95	49	P306181	Oilless Bushing	.55
19	P306066	Side Plate Screw Ring	.65	50	P306186	Anti Reverse Claw	2.25
20	P306068	O-Ring	.30	51	P306189	Anti Reverse Claw Screw	.90
21	P306069	Slider Spring	.30	52	P306190	Stabilizer Bar Screw	.30
22	P306070	Retaining Ring	.30	53	P306079	Retaining Clip	.30
23	P306072	Slider Assembly	5.35	54	P306191	Level Wind Gear Guard	2.00
24	P306077	Pinion Gear	6.45	55	P306195	Level Wind Stabilizer Bar	1.90
25	P306081	Clutch Spring	.30	56	P306200	Line Guide Block Cap	1.30
26	P306083	Clutch Lever	.85	57	P306202	Pawl (Steel)	3.45
27	P306090	Drive Shaft Retaining Screw	.30	57	P306203	Pawl (Zirconia)	6.85
28	P306094	Drag Pressure Plate Washer	.30	58	P306207	Line Guide Block	5.15
29	P306086	Clutch Cam	.90	59	P306210	Emblem	2.55
30	P306092	Drag Spring Washer	.55	60	P306148	U Spool	20.00
31	P306098	Drag Pressure Plate	.65				

Prices subject to change without notice. Prices do not include postage and handling.

**PLEASE ORDER BY PART NUMBER**

Rev. 6/95

Zebco Division Brunswick Corporation, Box 270, Tulsa, OK 74101 USA 918-836-5581

